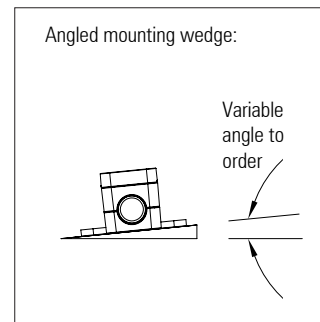
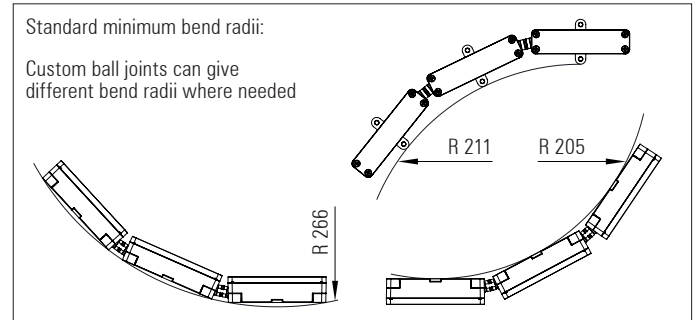
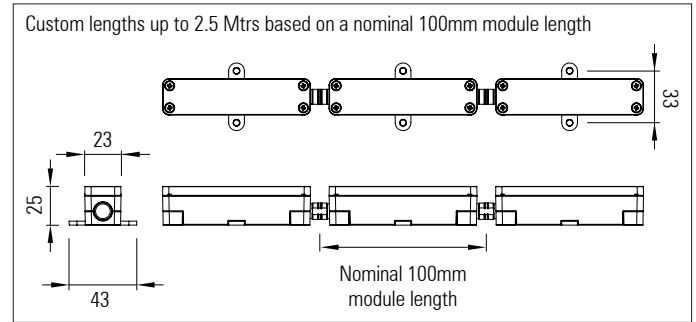


Euclid 20 Balljoint IP66 H.O.

High output version

Exterior, modular, 3D flexible LED linear lighting system



High output version - 240 x 0.2 Watt medium power LEDs per Mtr

Modular, 3D flexible LED linear lighting system - Up to 3,500 lumens per mtr with 3,000 K 80 CRI LEDs

Product description:

For use in exterior indirect lighting applications including cove lighting, wall grazing and wall washing where the building surfaces are non linear with curved profiles

240 x Luminus medium power 0.15 Watt LEDs per Mtr

Up to 35 Watts per Mtr

Integral DC to DC low voltage linear drivers. Remote 24 V DC power supply

Wide range of LED colour temperature and CRI options available

Mounting options include standard fixed angle mounting, angled mounting wedge, or custom bracket options including adjustable angle options

Various dimming options available: 1 - 10, DALI, DMX. Separate dimming channel

Side, or end power feed and connector options allow for continuous lighting - up to 8 mtrs can be lit from a single feed point. 16 Amp IP67 connectors join fixtures together on-site

Black, white or any RAL paint colour finish

Optical film can be specified to provide a diffuse output

* Dynamic-white option does not use a colour mixing lens

Up to 3.500 Lumens per Mtr

Product Code	No. of LEDs	IP	Length (mm)	LED Type	Optics (°)	Colour Temp. (K)	CRI	Cover	Fixing Type	Feed	Finish
EUCLID 20 BALLJOINT IP66 H.O.	24 LEDs per 100mm module	64	100mm -increments of 100mm up to- 2,500mm	0.15W LEDs: Luminus	110° Optical film	27=2,700k 30=3,000k 35=3,500k 40=4,000k 45=4,500k 50=5,000k Dynamic white	80 90	Clear Opal	Standard fixed angle mounting	End Side	Black White Any RAL-colour
	Wedge: Specify angle										